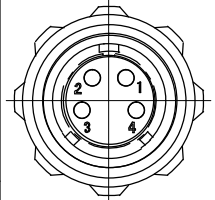
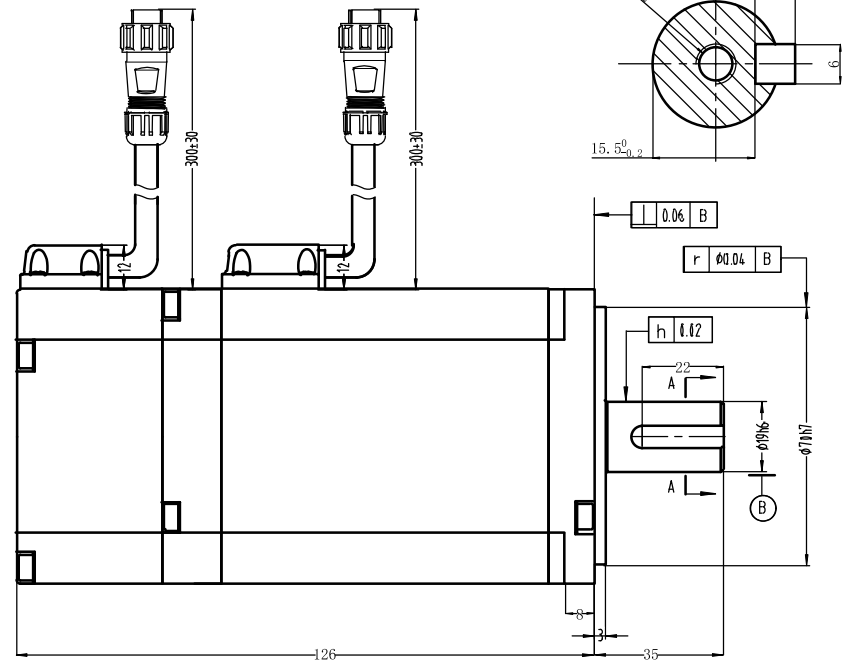
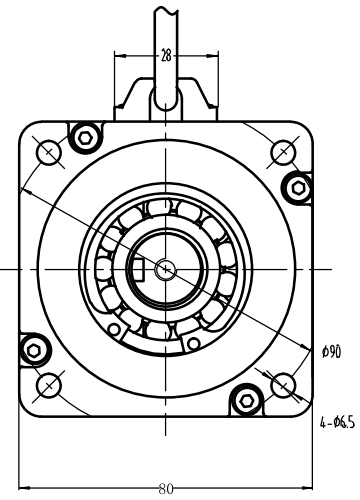


2020.11.26

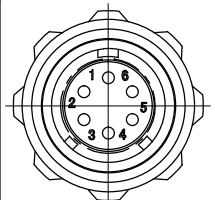
Rated Voltage (Vac)	<b>200-220</b>
Rated Power (w)	<b>1000</b>
Rated Torque (N.m)	<b>3.18</b>
Peak Torque (N.m)	<b>9.52</b>
Rated Speed (rpm)	<b>3000</b>
Peak Speed (rpm)	<b>5000</b>
Rated Current (Amp)	<b>5.7</b>
Peak Current (Amp)	<b>17.1</b>
Torque Const (N.m/Amp)	<b>0.57</b>
Back EMF Const (V/krpm)	<b>36.2</b>
Resistance (Ω)	<b>1.07</b>
Inductance (mH)	<b>6.9</b>
Inertia (kg*m <sup>2</sup> *10 <sup>-4</sup> )	<b>1.63</b>
Poles	<b>10</b>
Encoder type	<b>17bit single-turn</b>
Protection level	<b>IP54</b>
Weight	<b>2.83</b>



Wiring details of Power cable connector				
<b>Pos</b>	<b>1</b>	<b>2</b>	<b>3</b>	<b>4</b>
<b>Signal</b>	U	W	V	PE
<b>Color</b>	blue	red	black	Yel/Gre

Connector Code Of Extension Cable Side			
<b>Connector</b>	Winding Connector	Encoder Connector	Brake Connector
<b>Type</b>	GM-1311/S-4B	GM-1311/S-6A	--

Connector Code Of Motor Side			
<b>Connector</b>	Winding Connector	Encoder Connector	Brake Connector
<b>Type</b>	GM-1310/P-4B	GM-1310/P-6A	--



Wiring details of encoder cable connector							
<b>Pos</b>	<b>1</b>	<b>2</b>	<b>3</b>	<b>4</b>	<b>5</b>	<b>6</b>	<b>7</b>
<b>Signal</b>	PE	5V	0V	SD+	SD-	--	--
<b>Color</b>	shield	white	black	blue	purple	--	--

Leadshine Technology Co .Ltd

**ELM1000FM80H-HH2 MS20**

80mm, medium inertia, 1000w servo motor  
17bit incremental encoder, no brake

www.leadshine.com